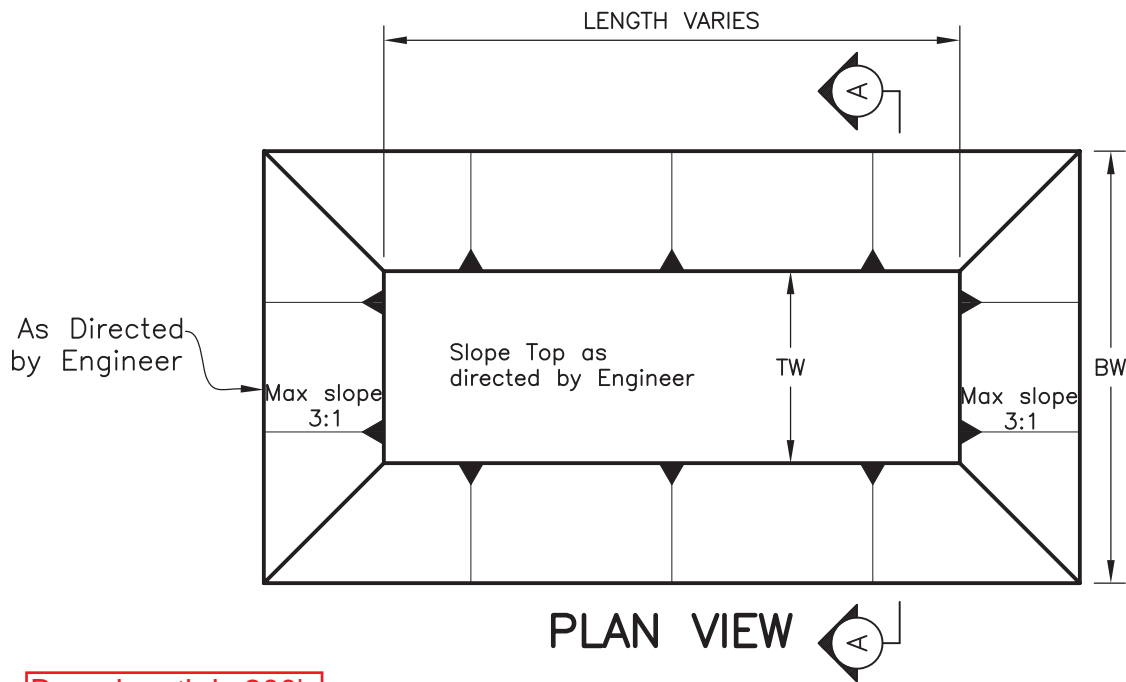
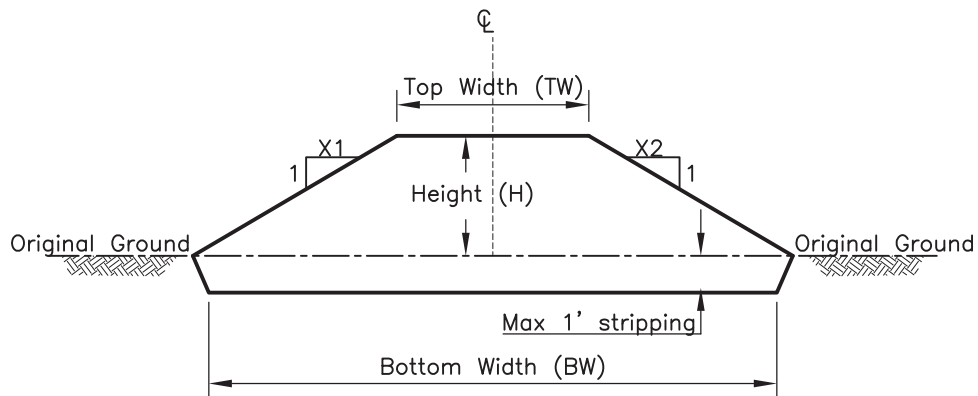


EWP BERM DETAIL

NRCS Practice Standard 356 Dike



Berm length is 200'



SECTION A-A

DIMENSIONS

TW = 8 (ft)

BW = 14 (ft)

H = 2 (ft)

X1 Maximum Slope = 1.5 : 1 (H:V)

X2 Maximum Slope = 1.5 : 1 (H:V)

NOTES:

This standard drawing required supporting technical documentation prior to use and must be adapted to the specific site.

Drawing not to scale

Carlton Complex Fire EWP Site 10

JOB CLASS

Date

CAD FILE NO.

Designed _____

SHEET OF

Drawn _____

Checked _____

U.S.D.A. NATURAL RESOURCES CONSERVATION SERVICE

Approved _____



NORTHING: 476438.23
EASTING: 1843111.16

EWP Priority Site #13

Face existing
foundation pad with 12"
of 10" minus rock

Omit this portion of
berm from project.
Length is 200\.

NORTHING: 476386.74
EASTING: 1843389.46

Designed	_____	Date	_____
Drawn	_____		_____
Checked	_____		_____
Approved	_____		_____

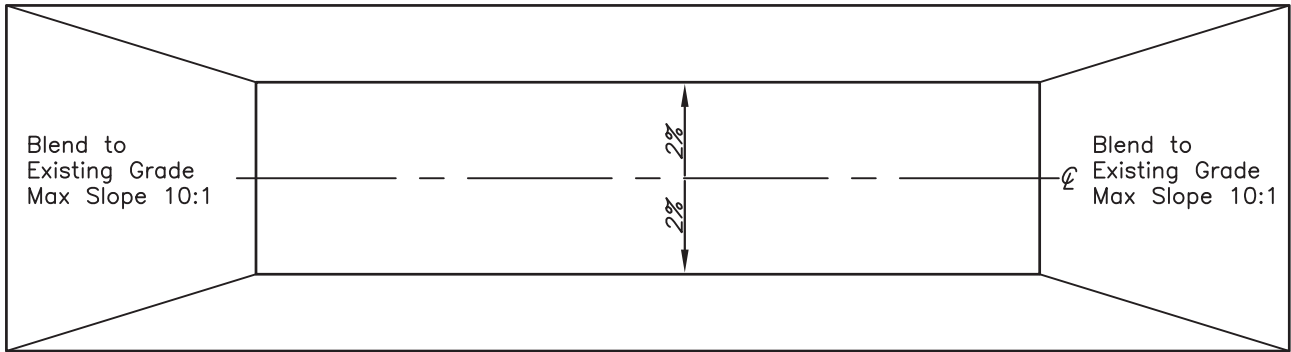
EWP PRIORITY SITE #13



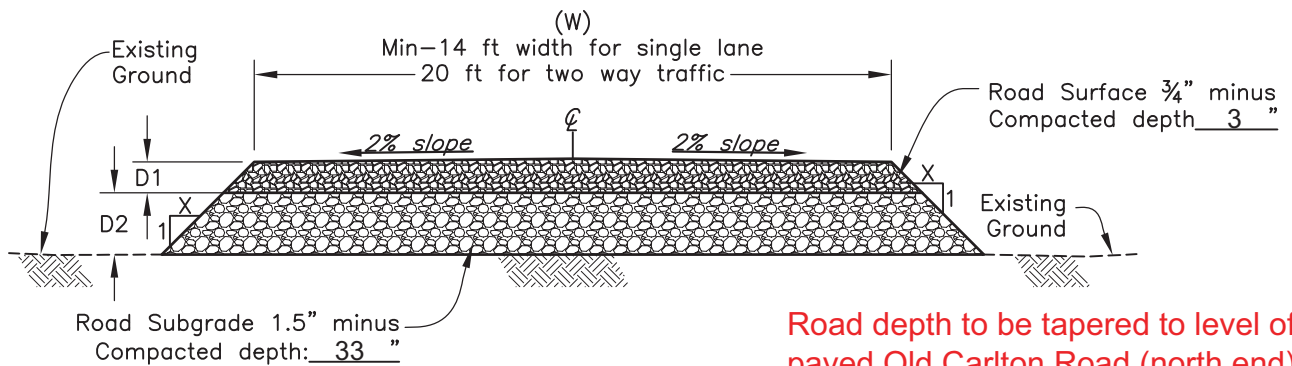
File Name	_____
Drawing Name	SITE #13
Sheet	5 of 15

EWP ROAD DETAIL

NRCS Practice Standard 560 Access Road



PLAN VIEW



CROSS SECTION

Road depth to be tapered to level of paved Old Carlton Road (north end) and to level of ground rise approximately 50-60 feet South of fence corner. Road length = 200 ft. plus South end taper.

DIMENSIONS

Road Length = 200 (ft)

(W) Width = 14 (ft)

(D1) Depth = 3 (in)
of Compacted Roadfill

(D2) Depth = 33 (in)
of Compacted Roadfill

Side Slope (X) = 1.5 :1

NOTES:

This standard drawing requires supporting technical documentation prior to use and must be adapted to the specific site.

Grades should not exceed 10% except for short lengths.

All cuts and fill shall have side slopes designed to be stable for the site conditions.

Surface of road depends on use.

Recommended intersection with public roads to be at an angle of 90 degrees.

Drawing Not To Scale

Carlton Complex Fire EWP Site 14

JOB CLASS

Date

CAD FILE NO.

Designed _____

SHEET OF

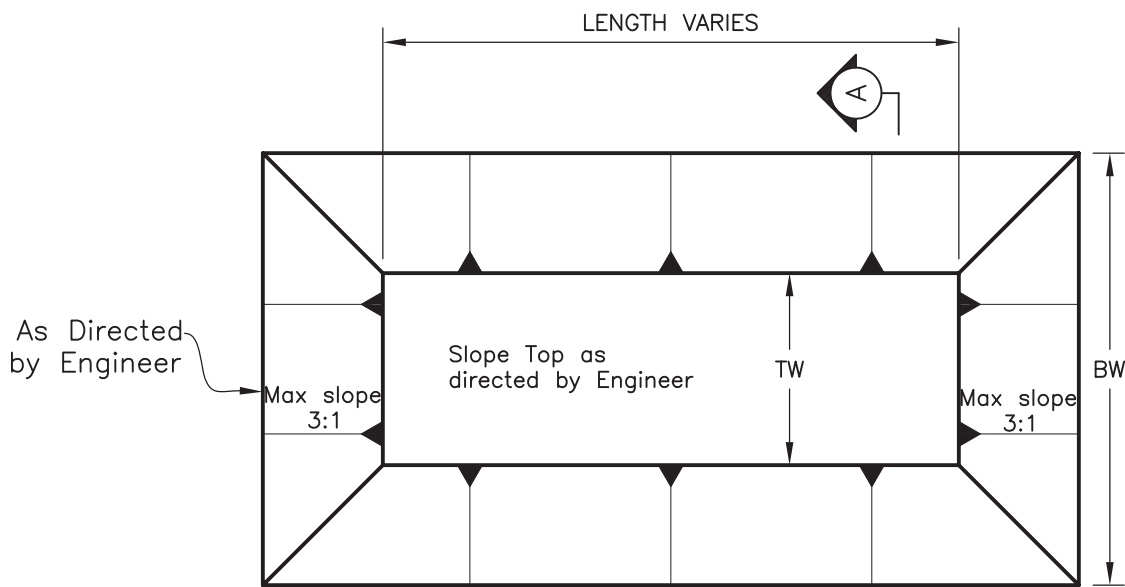
Drawn _____

Checked _____

Approved _____

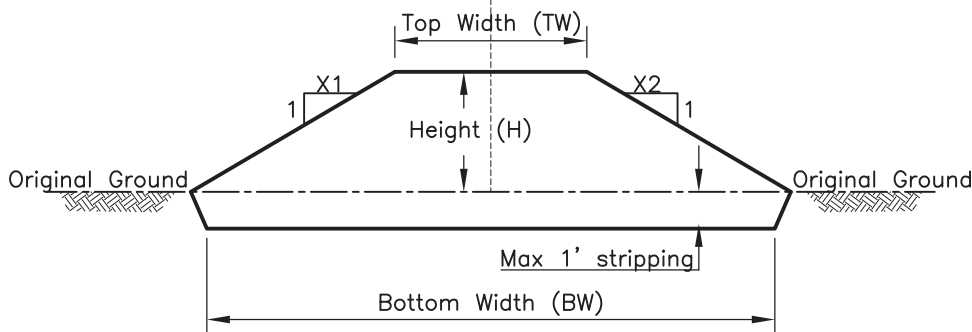
EWP BERM DETAIL

NRCS Practice Standard 356 Dike



PLAN VIEW

Dike to protect upper house = 275 feet long



SECTION A-A

DIMENSIONS

TW = 10 (ft)

BW = 16 (ft)

H = 2 (ft)

X1 Maximum Slope = 1.5 : 1 (H:V)

X2 Maximum Slope = 1.5 : 1 (H:V)

NOTES:

This standard drawing required supporting technical documentation prior to use and must be adapted to the specific site.

Drawing not to scale

Carlton Complex Fire EWP Site 18

JOB CLASS

Date

CAD FILE NO.

Designed _____

SHEET OF

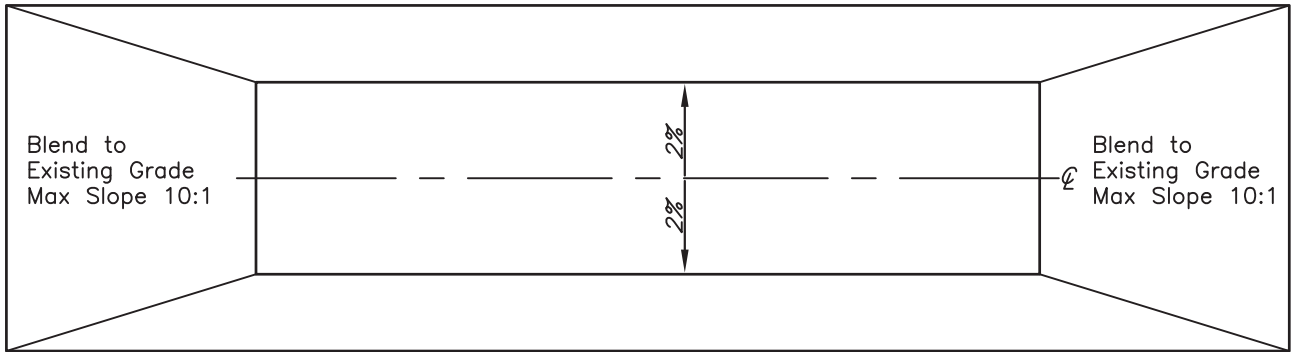
Drawn _____

Checked _____

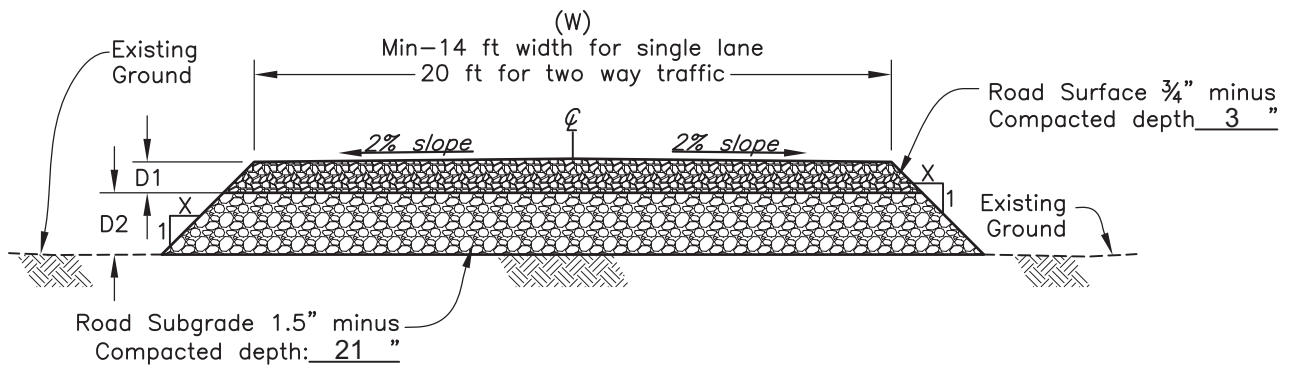
Approved _____

EWP ROAD DETAIL

NRCS Practice Standard 560 Access Road



PLAN VIEW



CROSS SECTION

DIMENSIONS

Road Length = 200 (ft)

(W) Width = 14 (ft)

(D1) Depth = 3 (in)
of Compacted Roadfill

(D2) Depth = 21 (in)
of Compacted Roadfill

Side Slope (X) = 1.5 :1

NOTES:

This standard drawing requires supporting technical documentation prior to use and must be adapted to the specific site.

Grades should not exceed 10% except for short lengths.

All cuts and fill shall have side slopes designed to be stable for the site conditions.

Surface of road depends on use.

Recommended intersection with public roads to be at an angle of 90 degrees.

Drawing Not To Scale

Carlton Complex Fire EWP Site #18
Lower House Road Raise

JOB CLASS

Date

CAD FILE NO.

Designed _____

SHEET OF

Drawn _____

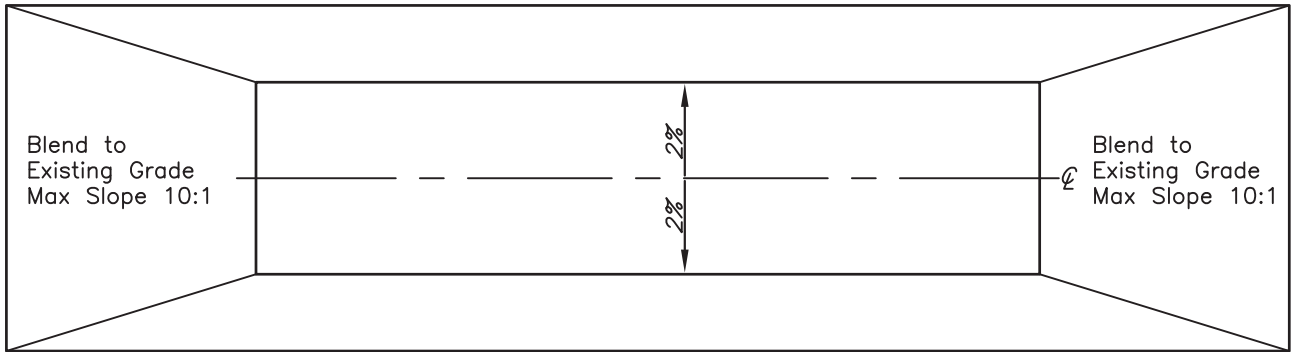
Checked _____

U.S.D.A. NATURAL RESOURCES CONSERVATION SERVICE

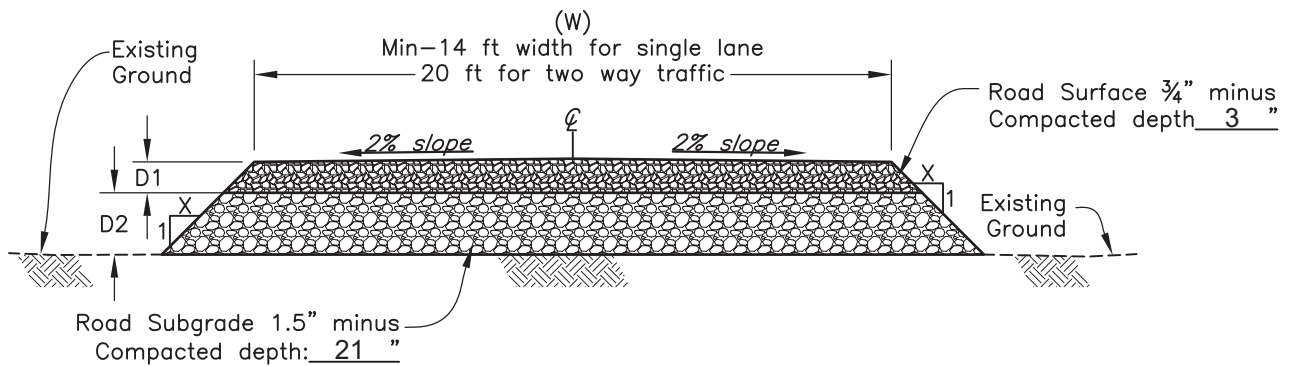
Approved _____

EWP ROAD DETAIL

NRCS Practice Standard 560 Access Road



PLAN VIEW



CROSS SECTION

DIMENSIONS

Road Length = 360 (ft)

(W) Width = 14 (ft)

(D1) Depth = 3 (in)
of Compacted Roadfill

(D2) Depth = 21 (in)
of Compacted Roadfill

Side Slope (X) = 1.5 :1

NOTES:

This standard drawing requires supporting technical documentation prior to use and must be adapted to the specific site.

Grades should not exceed 10% except for short lengths.

All cuts and fill shall have side slopes designed to be stable for the site conditions.

Surface of road depends on use.

Recommended intersection with public roads to be at an angle of 90 degrees.

Drawing Not To Scale

Carlton Complex Fire EWP Site #18
Upper House Road Raise

JOB CLASS

Date

CAD FILE NO.

Designed _____

SHEET OF

Drawn _____

Checked _____

Approved _____



NORTHING: 393138.58
EASTING: 1848426.45

NORTHING: 393012.70
EASTING: 1848402.14

NORTHING: 393031.42
EASTING: 1848914.67

NORTHING: 393014.01
EASTING: 1848979.81

NORTHING: 393036.99
EASTING: 1849043.60

NORTHING: 392823.15
EASTING: 1848544.59

NORTHING: 392794.92
EASTING: 1848736.62

EWP Priority Site #18

Provide road transitions at beginnings and ends of build ups as well as entrance and exit points to parking areas. Total number of transitions is 7

2' - ROAD RAISE AND
2' - PROTECTION BERM

TRANSITION
WHERE VARYING TOP
WIDTHS EXIST BLEND
OVER 10'

2' - ROAD RAISE



EWP PRIORITY SITE #18



Date	_____
Designed	_____
Drawn	_____
Checked	_____
Approved	_____
File Name	_____
Drawing Name	SITE #18
Sheet	7 of 15